

PRO LINE

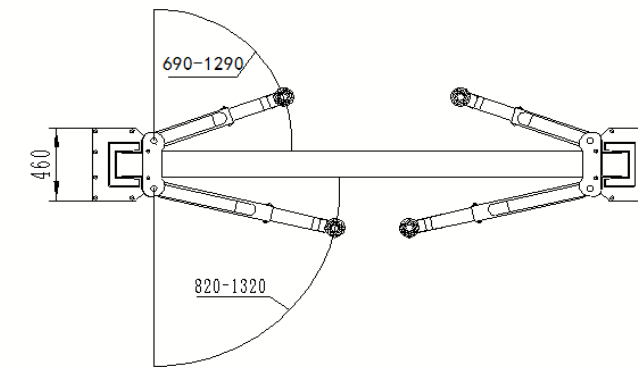
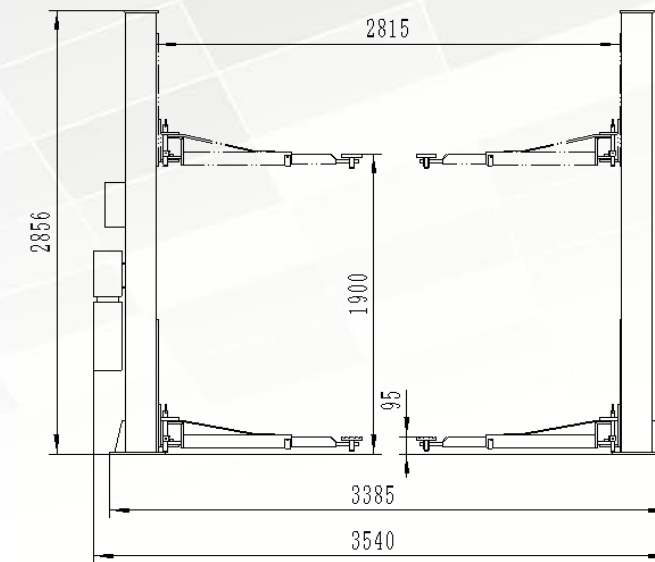
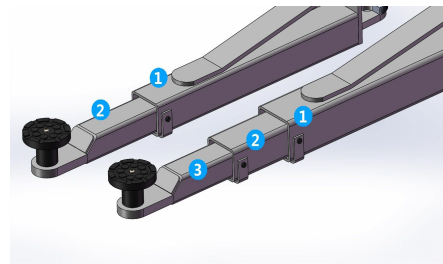
CAV TP4.2

Overall dimension

Double-side Manual Release 2-Post



4200 | KG



Highlights

- 4200KG (9,200 lbs) lifting capacity, ideal starter model with a TOP price - performance ratio for auto repair workshop
- Double-side manual unlocking system, easy operating and handling
- Strong synchronization cables and PA6 industry-nylon cable pulley ensures safety and durability.
- 2+3 asymmetric and telescopic lifting arms for heavy trucks and vans
- Automatic lifting arm lock & unlock system
- Chain lifting system combined with high quality hydraulic cylinders
- Max. lifting height switch protects cylinders and ensures safety
- Low lifting point (95mm), also perfectly suitable for sports vehicles
- 3-Stage adjustable lifting pad for wide range of vehicles
- Each lift passed the 115% rated capacity dynamic loading test and 150% static loading test, safe and reliable lift

Technical

	CAV TP4.2
Capacity	4200kg
Max. Lifting height	1900mm
Min. height	95mm
Overall width	3540mm
Lifting time	45-50s
Power of motor	2.2kW