

BASIC LINE

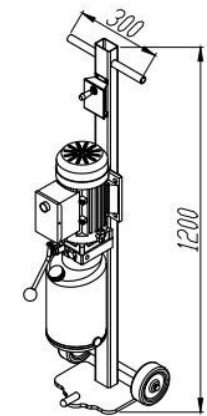
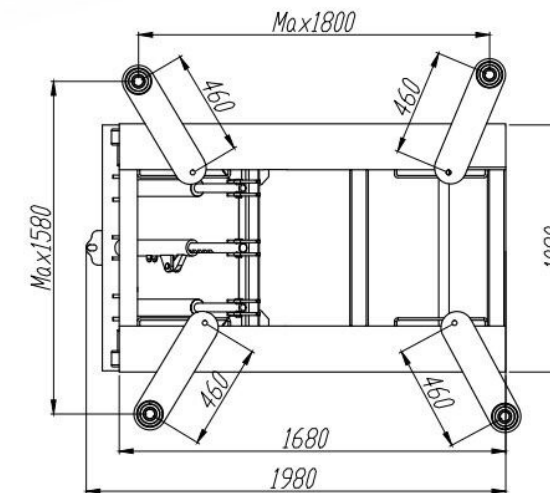
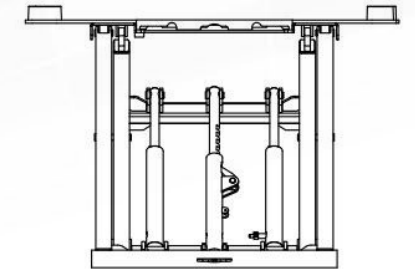
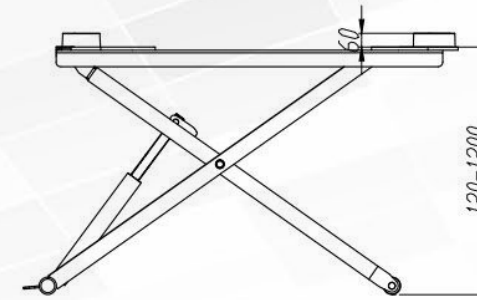
CAV Y-28

Overall dimension

Mobile Mid-rise Scissor Lift



2800 | KG



Highlights

- 2800KG (6,600lbs) lifting capacity
- Perfect lift for painting jobs and bodywork, brakes and tire service
- Portable motor cart serves as tow dolly, making it portable and able to operate on concrete, indoors or out
- Manual safety lock release
- Dual cylinder structure, ensure stable raising and lowering
- Multiple locking positions accommodates higher profile vehicles and provides maximum headroom to work underneath vehicles
- Powder coated finish provides long-lasting durable use
- Each lift passes the test of 115% dynamic load and 150% static load, safe and reliable

Technical

	CAV Y-28
Capacity	2800kg
Max. Lifting height	1200mm
Min. height	110mm
Lifting time	30s
Power of motor	2.2kW