

PRO LINE

On-ground Alignment Scissor Lift

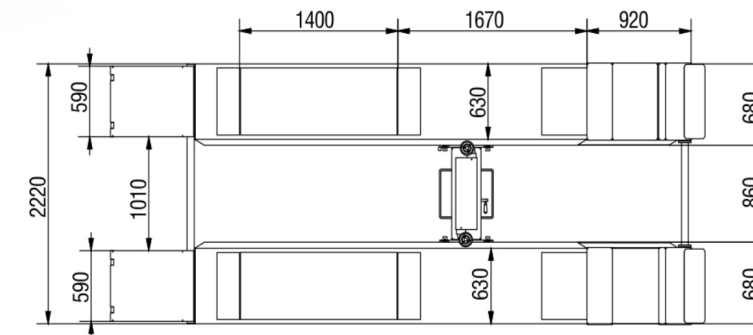
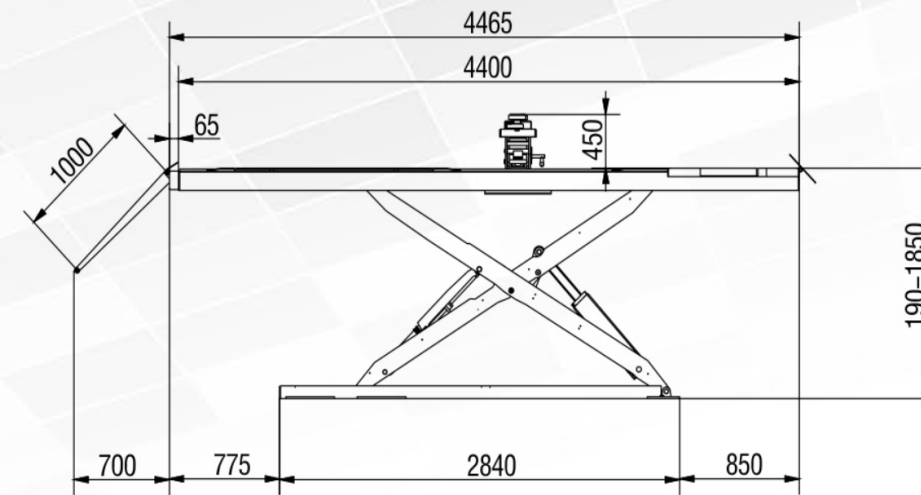


4000 | KG



CAV SA-4.0

Overall dimension



Highlights

- Extreme long runways, ideal for cars, trucks and vans
- Above floor scissor lift with an integrated jacking beam, rear sliding plates and front recesses for optional turntables
- High-efficiency hydraulic power unit provides faster raising and descent times
- Hydraulic Synchronization control
- Automatic safety-lock pneumatic release system
- Powder coated finish
- Slidable 3000kg capacity secondary-rise jack comes as standard inclusion
- Each lift passes the test of 115% dynamic load and 150% static load, safe and reliable
- Turntables for alignment is **optional**

Technical

	CAV SA-4.0
Capacity	4000kg
Max.Lifting height	1850 + 450mm
Min.height	190mm
Platform length	4465mm
Lifting time	60-70s
Power of motor	3.0kW