

BASIC LINE

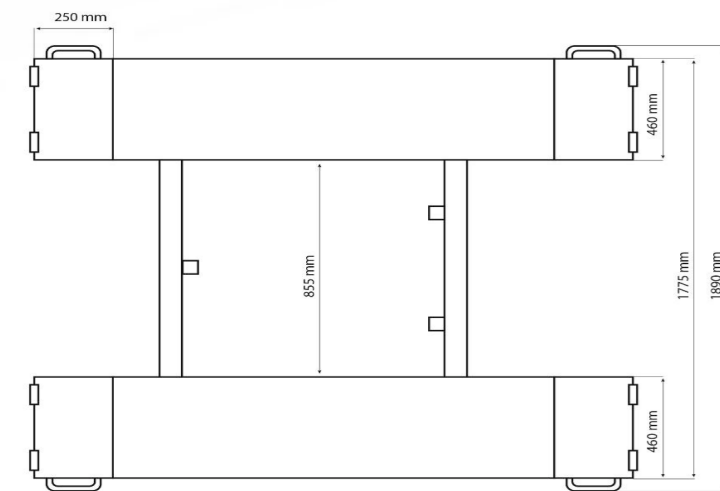
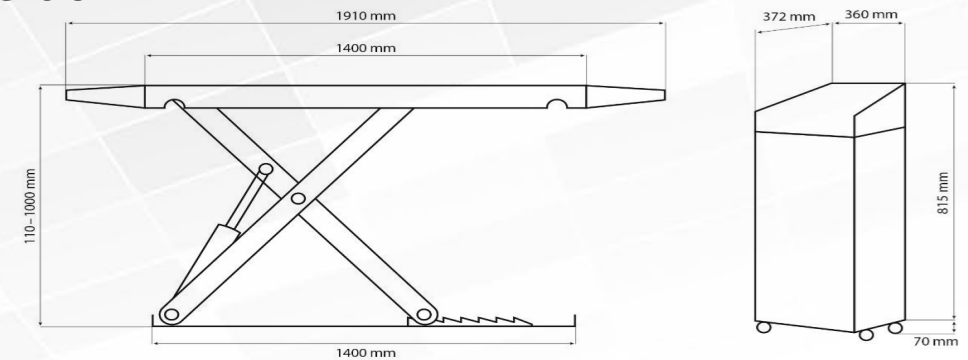
Mobile Mid-rise Scissor Lift



3000 | KG

JS3000B

Overall dimension



Highlights

- Top built quality with CE-certificate
- Low drive over height at only 110mm
- Extendable ramps for long wheel-base vehicles
- Non-slip top platform thanks to the diamond platform design
- High-quality solid construction
- Dual powerful hydraulic cylinders
- Automatic safety lock
- Foot protection by acoustic warning signal at the CE-stop position
- Mobile kit included, flexible and space saving
- Fully electrical lock release (No air compressor is needed!)
- Each lift passes the test of 115% dynamic load and 150% static load, safe and reliable

Technical

	JS3000B
Capacity	3000kg
Max.Lifting height	1000mm
Min.height	110mm
Lifting time	30s
Power of motor	2.2kW